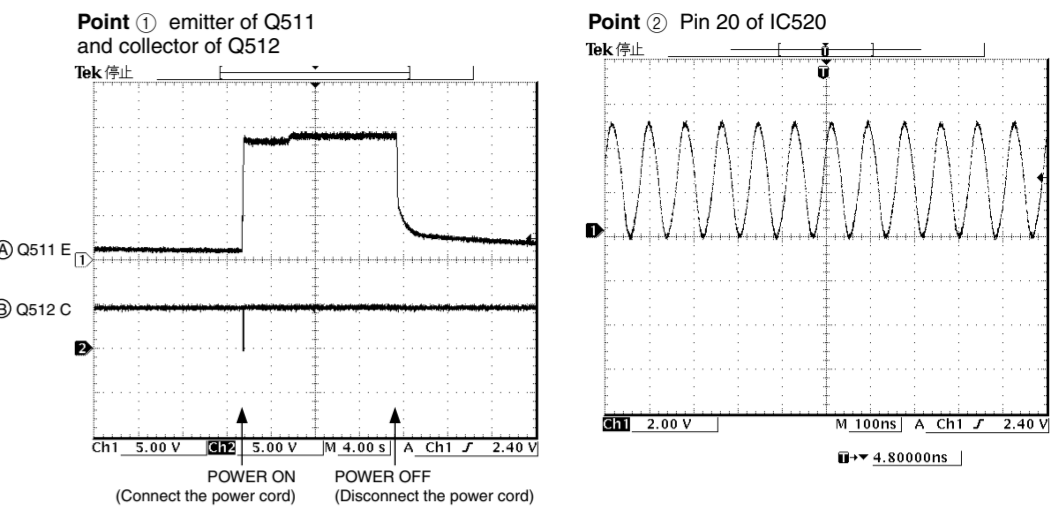
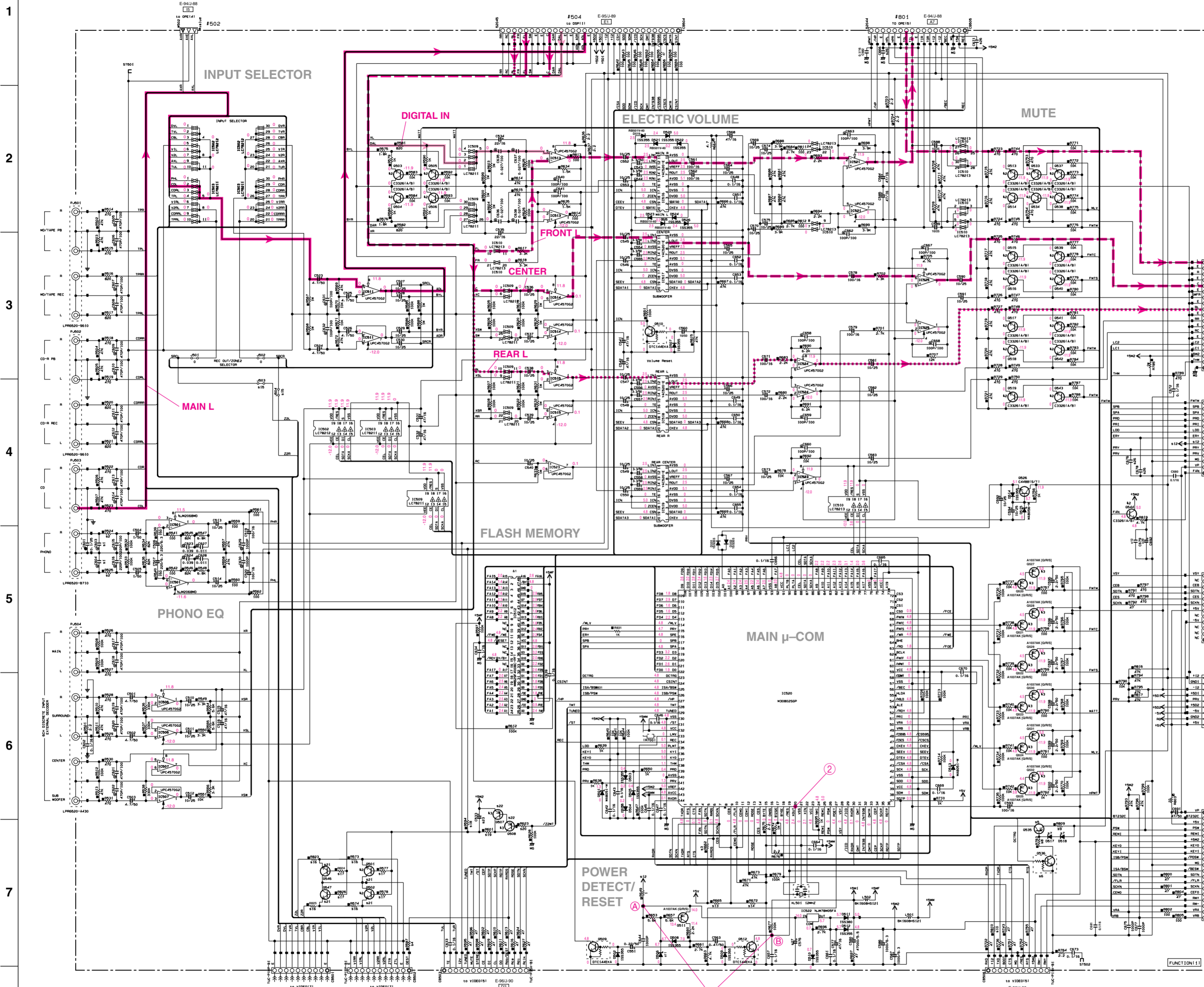


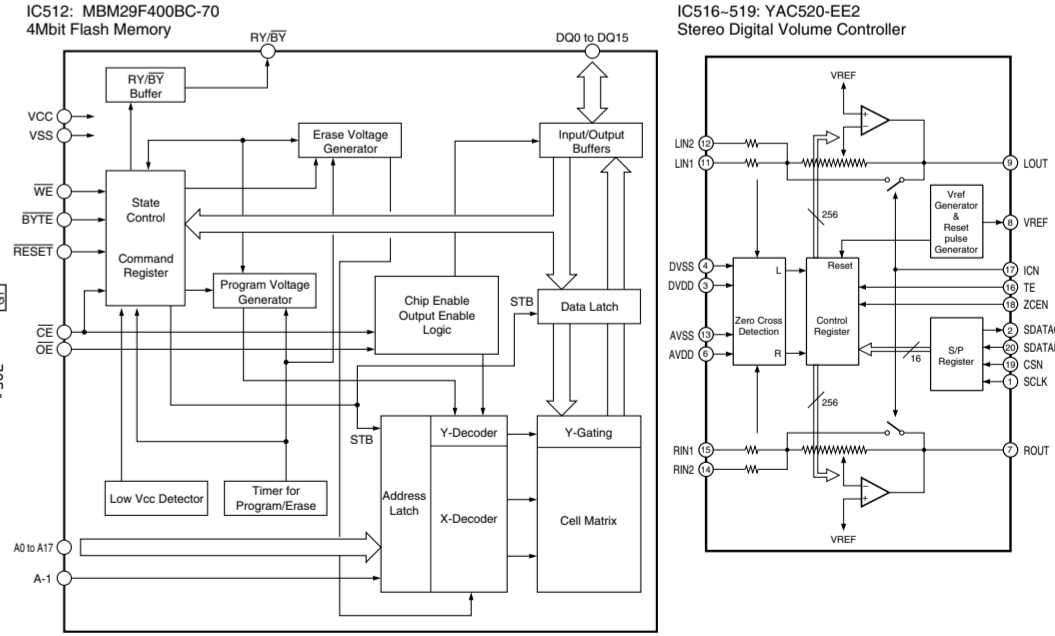
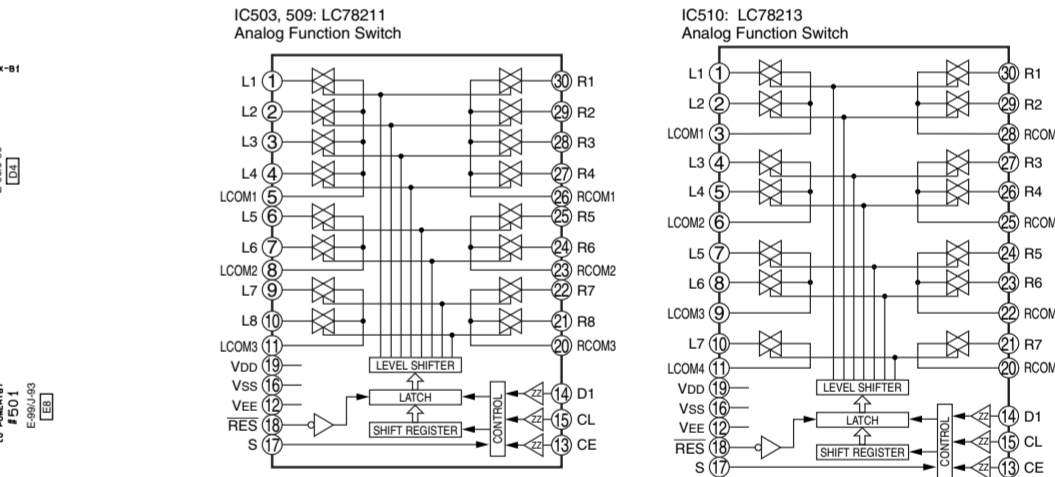
SCHEMATIC DIAGRAM (RX-V1200/RX-V1200RDS/HTR-5490/DSP-AX1200 FUNCTION)

RX-V1200/RX-V1200RDS/HTR-5490/DSP-AX1200/RX-V2200/DSP-AX2200



IC501: NJM2068MD	IC506, 507: 511, 513-515: μPC4570G2	IC521, IC523-IC525: μPC4570G2	Dual Op-Amp
OUT1 [1]	8 +Vcc	7 OUT2	
-IN1 [2]		6 -IN2	
+IN1 [3]		5 +IN2	
-Vcc [4]			

IC502: LC78212	IC510: LC78213
L1 [1]	R1 [1]
L2 [2]	R2 [2]
L3 [3]	R3 [3]
LOCM1 [4]	RCOM1 [4]
L4 [5]	R4 [5]
L5 [6]	R5 [6]
LOCM2 [7]	RCOM2 [7]
L6 [8]	R6 [8]
L7 [9]	R7 [9]
LOCM3 [10]	RCOM3 [10]
L8 [11]	R8 [11]
LOCM4 [12]	RCOM4 [12]
VDD [13]	LEVEL SHIFTER
VSS [14]	LATCH
VEE [15]	SHIFT REGISTER
RES [16]	CONTROL
S [17]	CE



NOTICE (model 1)

Interchangeable Parts at Manufacturer's Stage

REMARKS	PARTS NAME
NO MARK ELECTROLYTIC CAPACITOR	TANTALUM CAPACITOR
NO MARK CERAMIC CAPACITOR	CERAMIC TUBULAR CAPACITOR
NO MARK POLYESTER FILM CAPACITOR	POLYESTER FILM CAPACITOR
NO MARK POLYPROPYLENE FILM CAPACITOR	POLYPROPYLENE FILM CAPACITOR
NO MARK SEMI-CONDUCTIVE CERAMIC CAPACITOR	SEMICONDUCTIVE CERAMIC CAPACITOR
NO MARK POLYPHENYLENE SULFIDE FILM CAPACITOR	POLYPHENYLENE SULFIDE FILM CAPACITOR

REMARKS	PARTS NAME
NO MARK CARBON FILM RESISTOR (P=5)	CARBON FILM RESISTOR (P=5)
NO MARK METAL OXIDE FILM RESISTOR (P=10)	METAL OXIDE FILM RESISTOR (P=10)
NO MARK METAL PLATE RESISTOR	METAL PLATE RESISTOR
NO MARK FIRE PROOF CARBON FILM RESISTOR	FIRE PROOF CARBON FILM RESISTOR
NO MARK CEMENT MOLDED RESISTOR	CEMENT MOLDED RESISTOR
NO MARK CHIP RESISTOR	CHIP RESISTOR

* All voltages are measured with a 10M Ω DC electric volt meter.

* Components having special characteristics are marked Δ and must be replaced with parts having specifications equal to those originally installed.

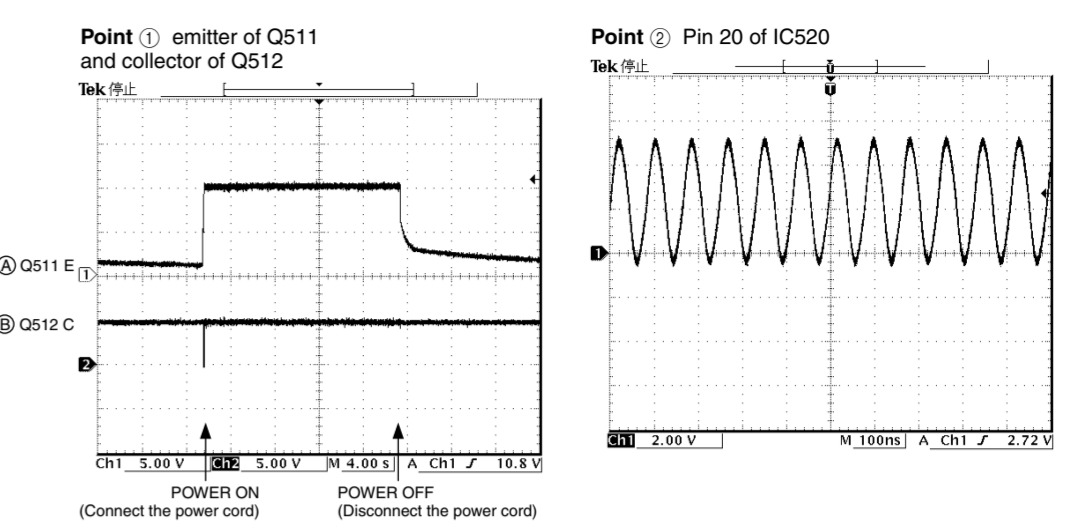
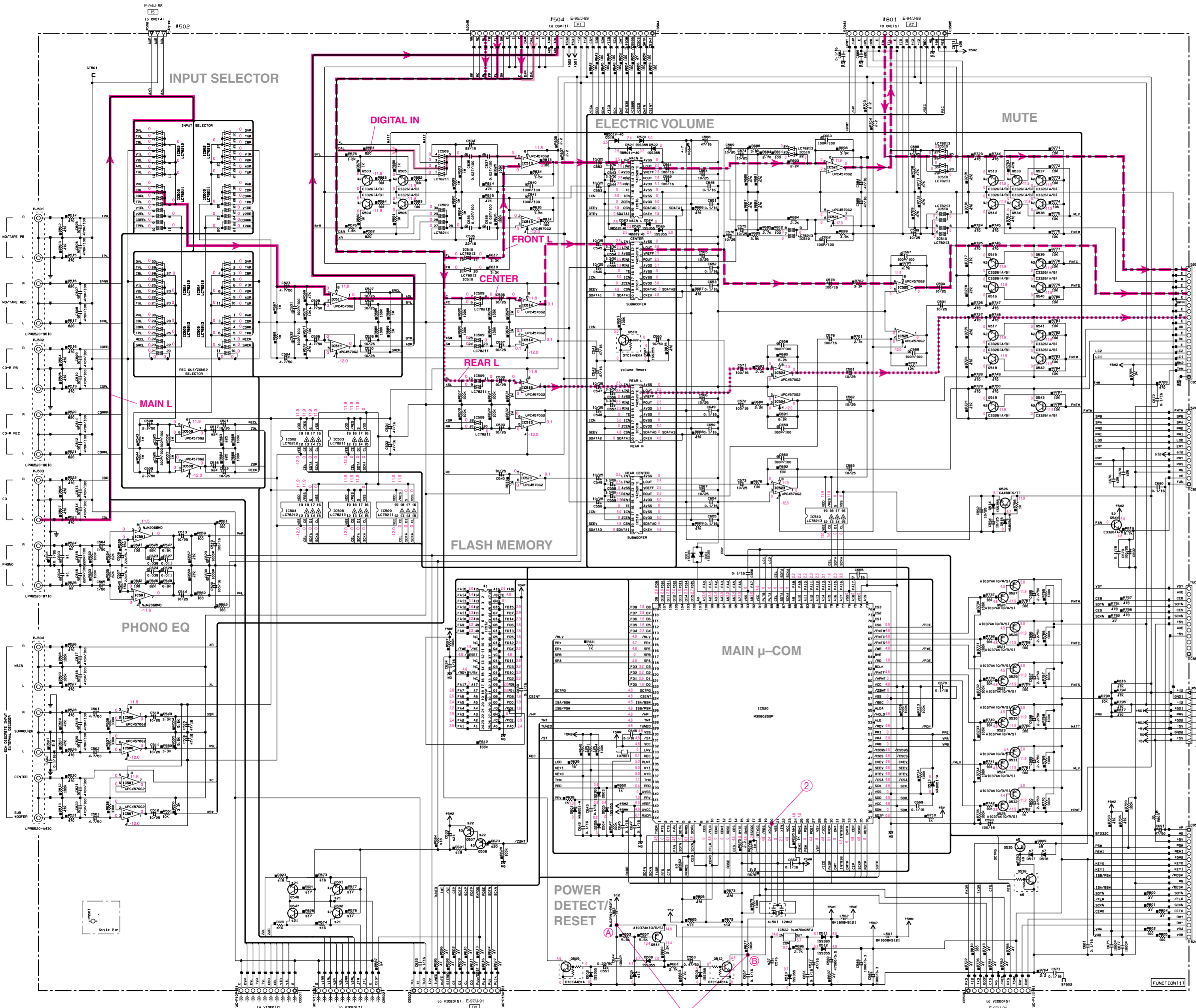
* Schematic diagram is subject to change without notice.

● 電圧は、内部抵抗10MΩの電圧計で測定したものです。

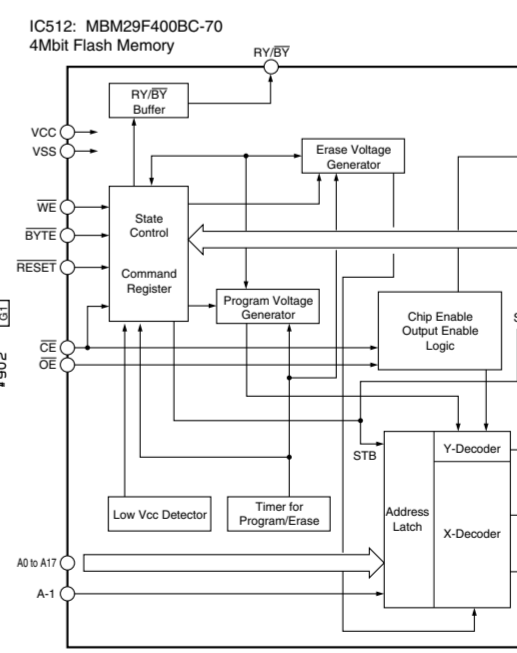
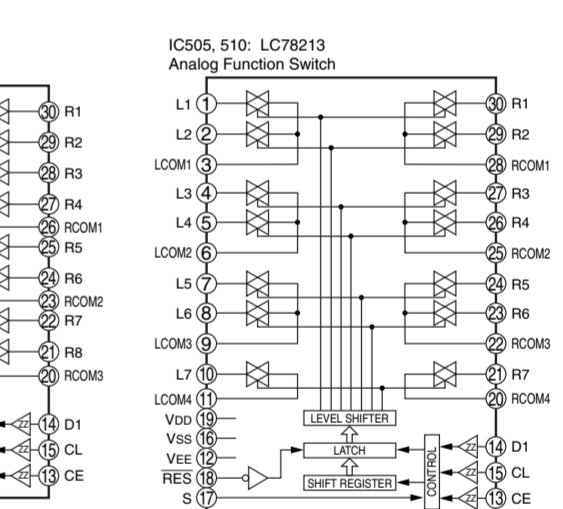
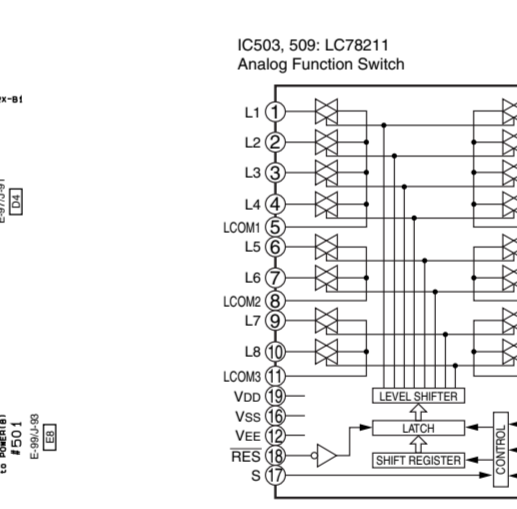
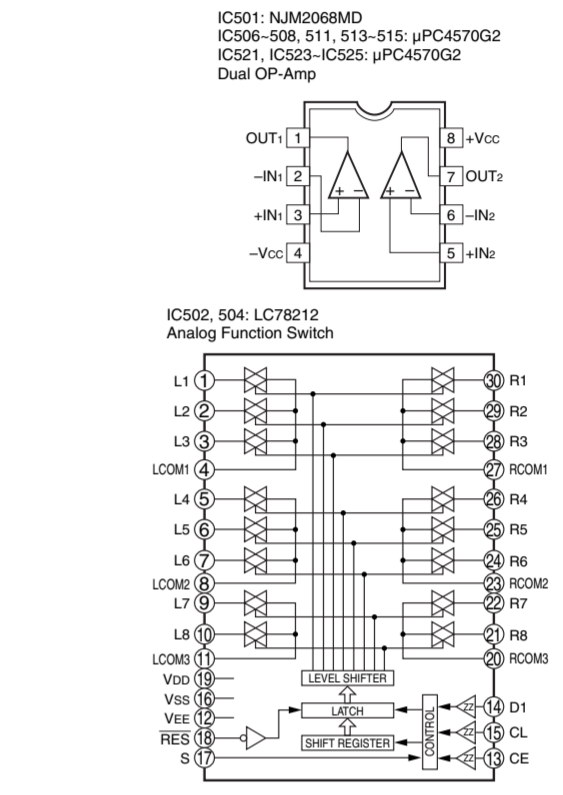
● Δ印のある部品は、安全性確保部品を示しています。部品の交換が必要な場合、パーツリストに記載されている部品を使用してください。

● 本回路図は標準回路図です。改良のため予告なく変更することがございます。

RX-V1200/RX-V1200RDS/HTR-5490/DSP-AX1200/RX-V2200/DSP-AX2200
SCHEMATIC DIAGRAM (RX-V2200/DSP-AX2200 FUNCTION)



IC No.	IC Part No.	U-C	Q-T	A	Comments
1	IC500-504	47	47	100V/100	UPR0222
2	IC504-520	47	47	100V/100	UPR0222
3	IC507	x	x	100K	x
4	IC508	x	x	47	x
5	IC509	x	DTC144E4	DTC144E4	DTC144E4
6	IC510	x	100K	100K	100K
7	IC511-518	x	100K	100K	100K
8	IC519	x	33K	33K	33K
9	IC520	x	47	47	47
10					
11	IC506	MB02E-H	MB02E-H	MB02E-L	MB02E-H
12	IC507	MB02E-H	MB02E-H	MB02E-L	MB02E-H
13	IC508	100K	100K	100K	100K
14	IC509	5.1K	100K	100K	100K
15	IC510	100K	100K	100K	100K
16	IC511	47K	47K	47K	47K
17	IC512	47K	47K	47K	47K
18	IC513	47K	47K	47K	47K
19	IC514	47K	47K	47K	47K
20	IC515	47K	47K	47K	47K
21	IC516	47K	47K	47K	47K
22	IC517	47K	47K	47K	47K
23	IC518	47K	47K	47K	47K
24	IC519	47K	47K	47K	47K
25	IC520	47K	47K	47K	47K
26	IC521	47K	47K	47K	47K
27	IC522	47K	47K	47K	47K
28	IC523	47K	47K	47K	47K
29	IC524	47K	47K	47K	47K
30	IC525	47K	47K	47K	47K



NOTICE (model)

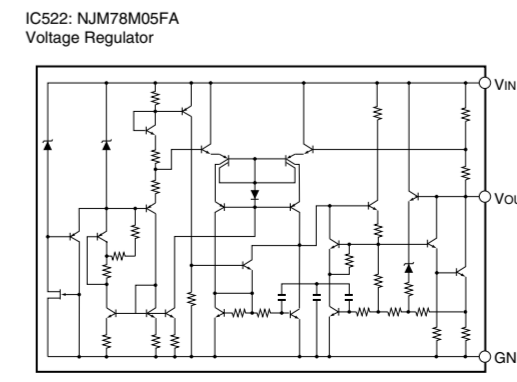
Interchangeable Parts at Manufacture Stage

Part No.	Part Name	Remarks
1	10K	
2	100K	
3	100K	
4	100K	
5	100K	
6	100K	
7	100K	
8	100K	
9	100K	
10	100K	
11	100K	
12	100K	
13	100K	
14	100K	
15	100K	
16	100K	
17	100K	
18	100K	
19	100K	
20	100K	
21	100K	
22	100K	
23	100K	
24	100K	
25	100K	
26	100K	
27	100K	
28	100K	
29	100K	
30	100K	

REMARKS: ① indicates parts that must be replaced with parts having specifications equal to those originally installed. ② indicates parts that are safety-critical and must be replaced with parts having specifications equal to those originally installed.

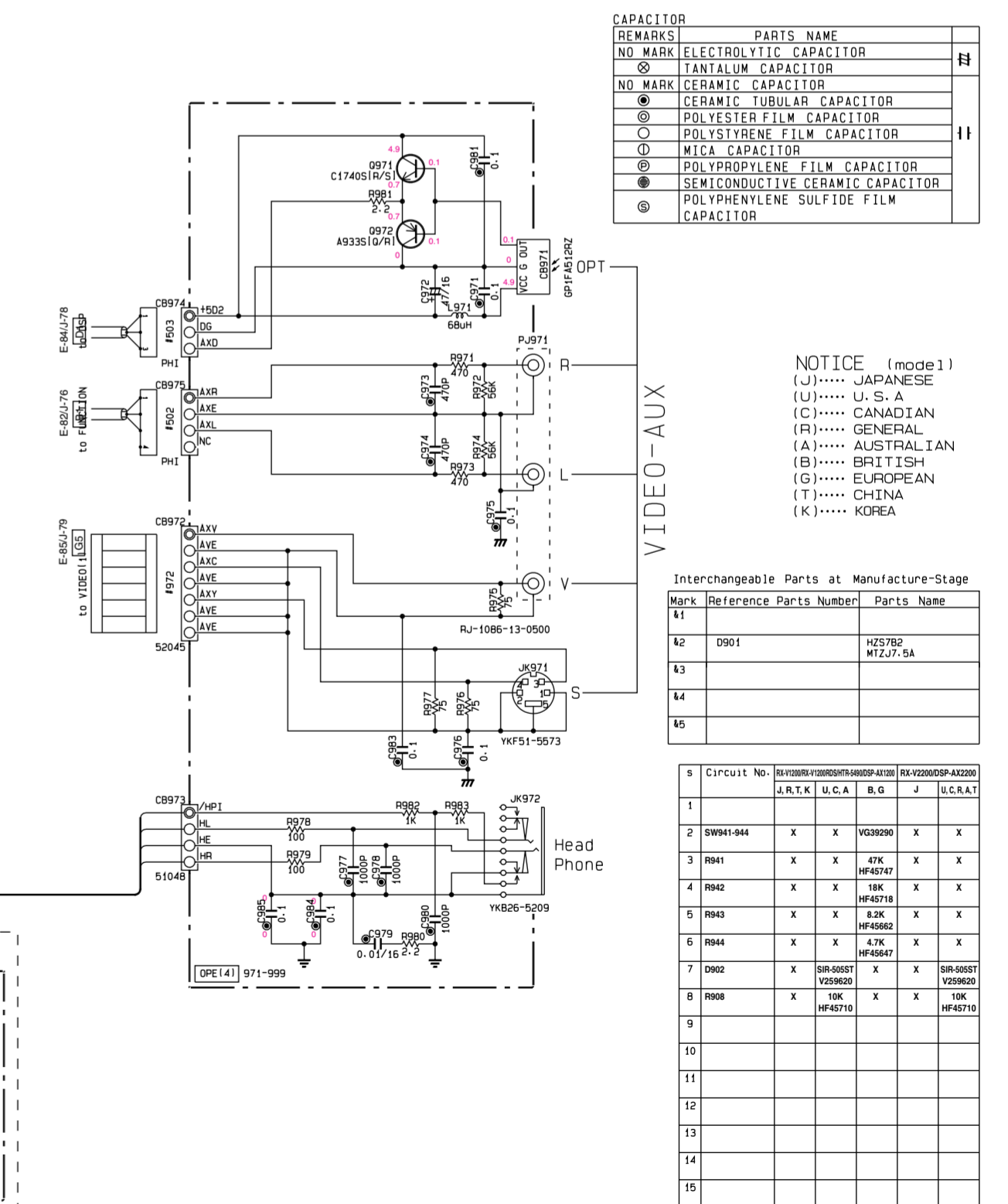
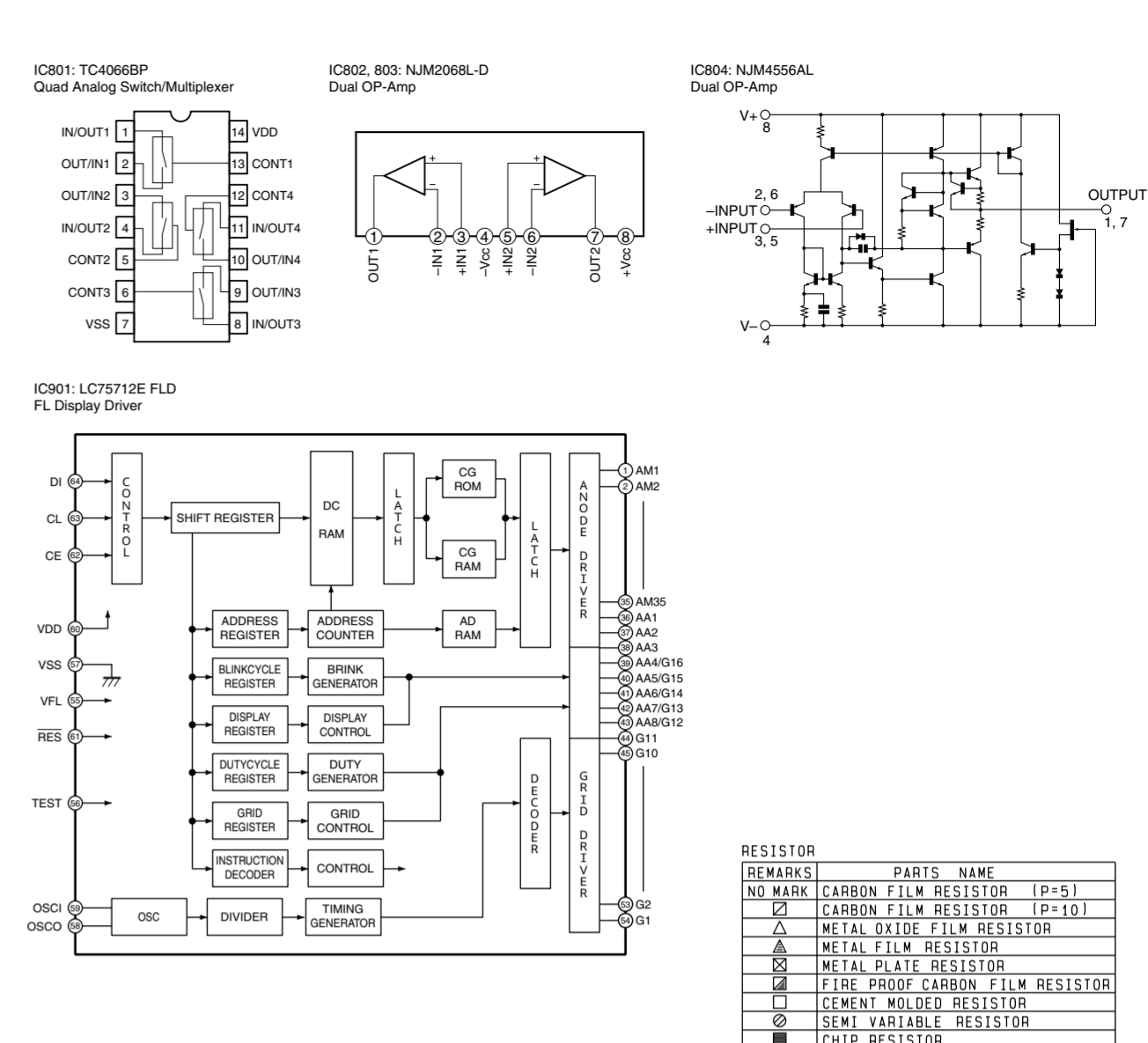
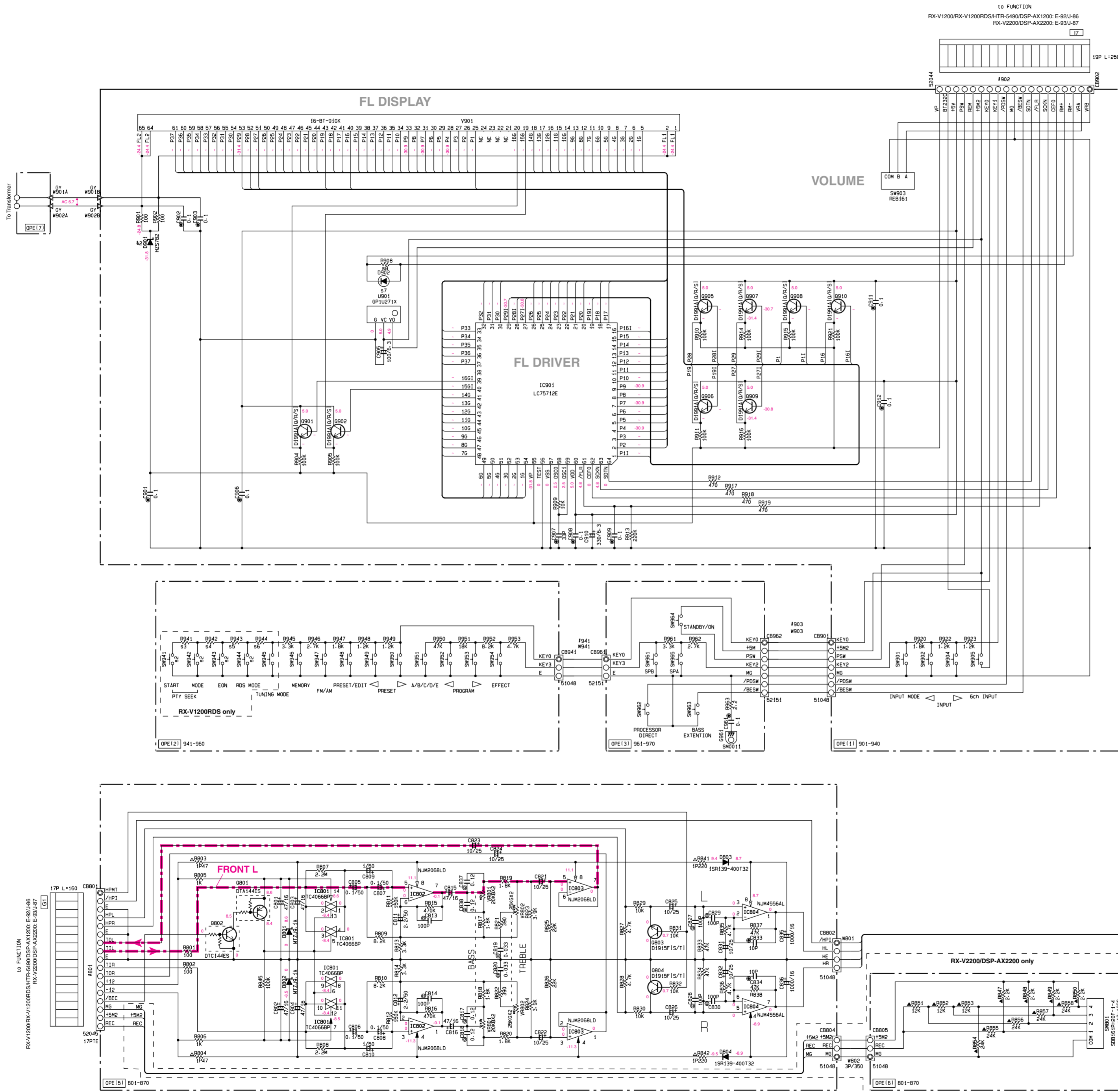
★ All voltages are measured with a 10M Ω DC electric volt meter.
 ★ Components having special characteristics are marked ① and must be replaced with parts having specifications equal to those originally installed.
 ★ Schematic diagram is subject to change without notice.

● 電圧は、内部抵抗10MΩの電圧計で測定したものです。
 ● ①印のある部品は、安全性確保部品を示しています。部品の交換が必要な場合、パーツリストに記載されている部品を使用してください。
 ● 本回路図は標準回路図です。改良のため予告なく変更することがございます。



■ SCHEMATIC DIAGRAM (OPERATION)

RX-V1200/RX-V1200RDS/HTR-5490/DSP-AX1200/RX-V2200/DSP-AX2200



★ All voltages are measured with a 10M Ω /V DC electric volt meter.
 ★ Components having special characteristics are marked Δ and must be replaced with parts having specifications equal to those originally installed.
 ★ Schematic diagram is subject to change without notice.

● 電圧は、内部抵抗10M Ω の電圧計で測定したものです。
 ● Δ 印のある部品は、安全性確保部品を示しています。部品の交換が必要な場合、パーツリストに記載されている部品を使用してください。
 ● 本回路図は標準回路図です。改良のため予告なく変更することがございます。

SCHEMATIC DIAGRAM (DSP)

Interchangeable Parts at Manufacture-Stage

Mark	Reference Parts Number	Parts Name
A1	0908-810-817	25C32061A/B1
A2	IC013	U1000000000
A3	IC015	U1000000000
A4	IC028	MBM29F400C-70PPT

NOTICE (model)

- (J) JAPANESE
- (U) U.S.A.
- (C) CANADIAN
- (R) GENERAL
- (A) AUSTRALIAN
- (B) BRITISH
- (T) EUROPEAN
- (G) CHINA
- (K) KOREA

RESISTOR

REMARKS	PARTS NAME
NO MARK	CARBON FILM RESISTOR (P=5)
△	METAL OXIDE FILM RESISTOR
□	METAL FILM RESISTOR
○	METAL PLATE RESISTOR
○	FINE PITCH CARBON FILM RESISTOR
○	CEMENT MOLDED RESISTOR
○	SEMI VARIABLE RESISTOR
○	CHIP RESISTOR

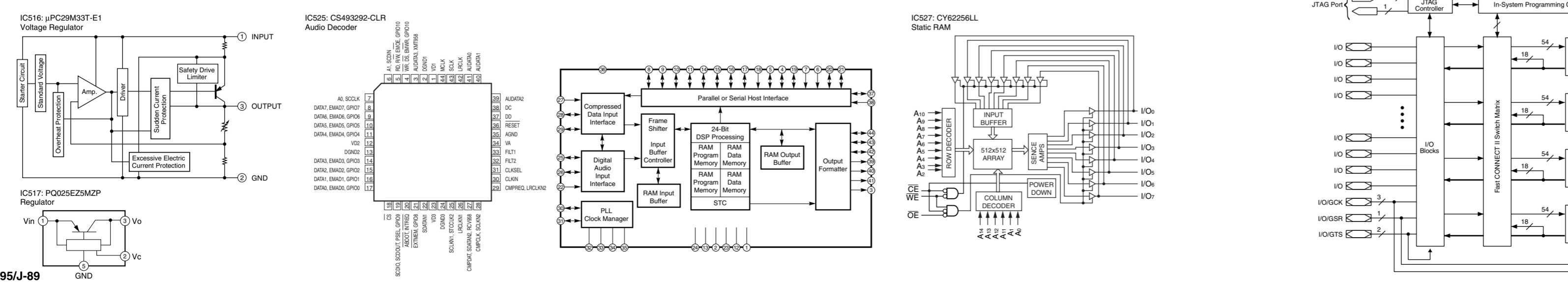
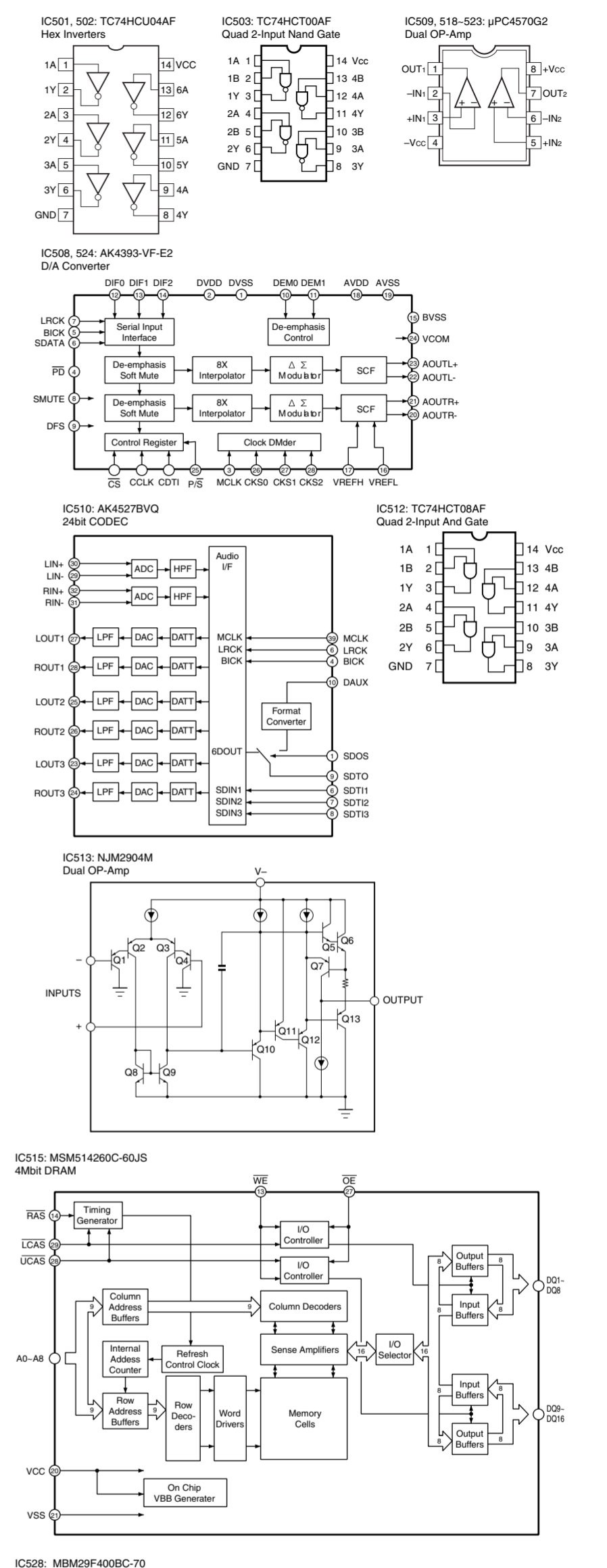
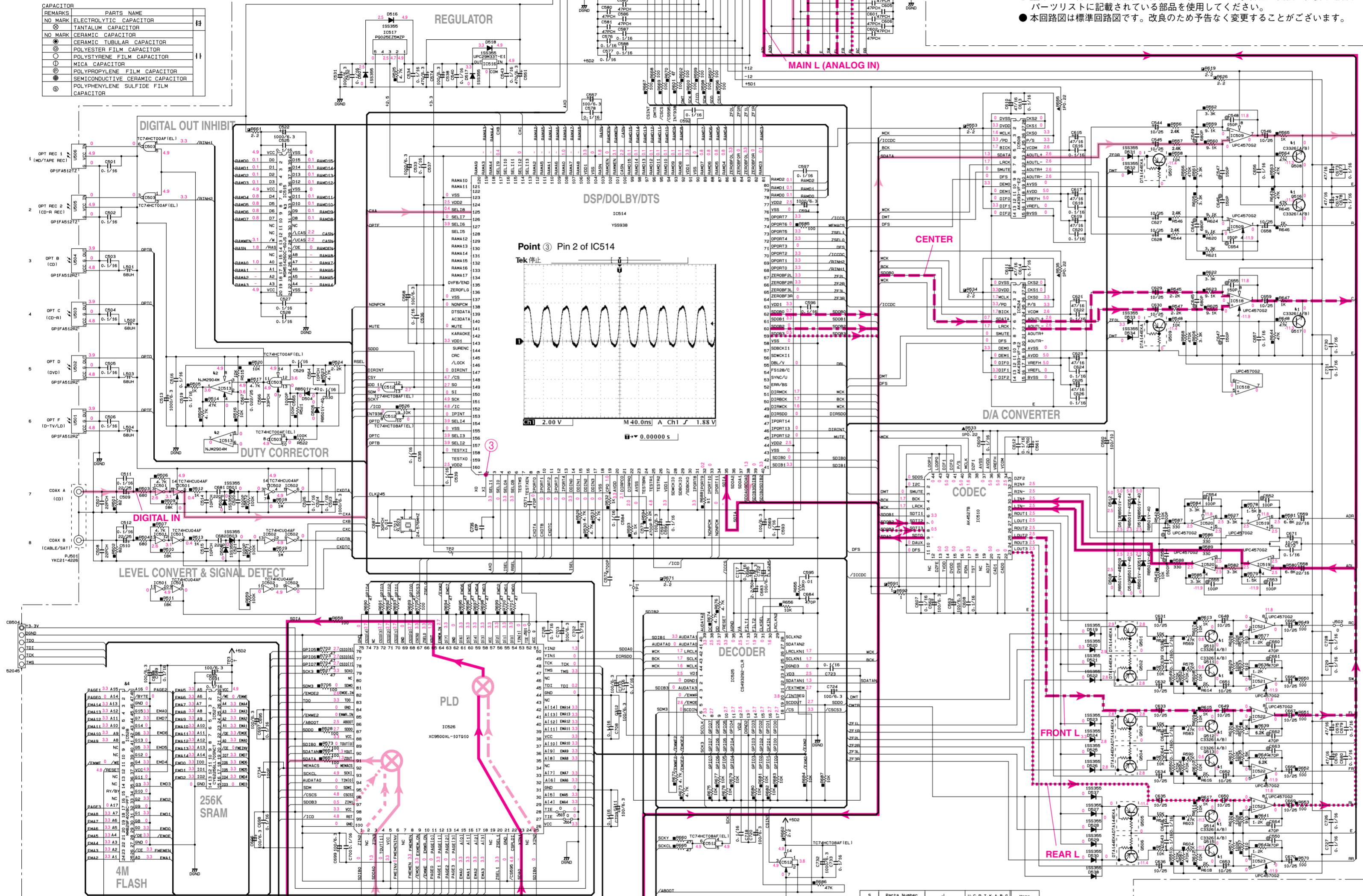
CAPACITOR

REMARKS	PARTS NAME
NO MARK	ELECTROLYTIC CAPACITOR
○	TANTALUM CAPACITOR
○	CERAMIC CAPACITOR
○	CERAMIC TUBULAR CAPACITOR
○	POLYESTER FILM CAPACITOR
○	POLYSTYRENE FILM CAPACITOR
○	NICAL CAPACITOR
○	POLYPROPYLENE FILM CAPACITOR
○	SEMICONDUCTIVE CERAMIC CAPACITOR
○	POLYVINYLENE SULFIDE FILM CAPACITOR

to OPERATION

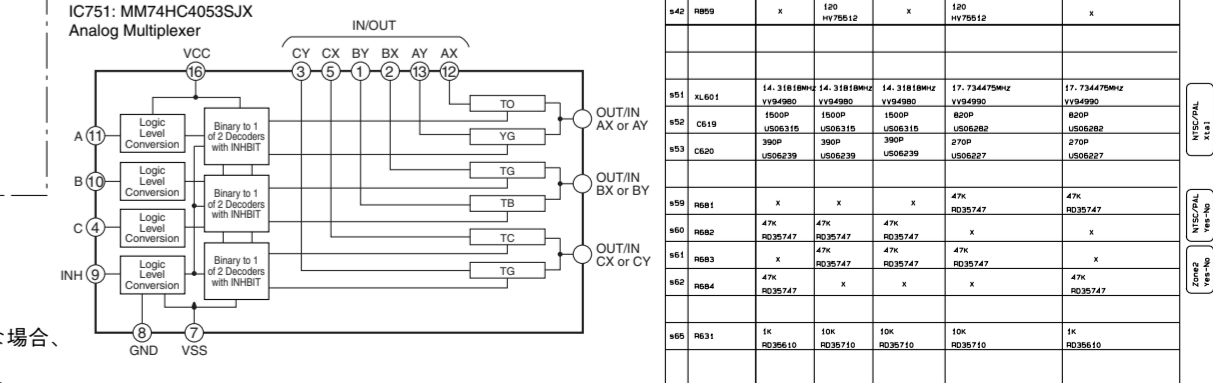
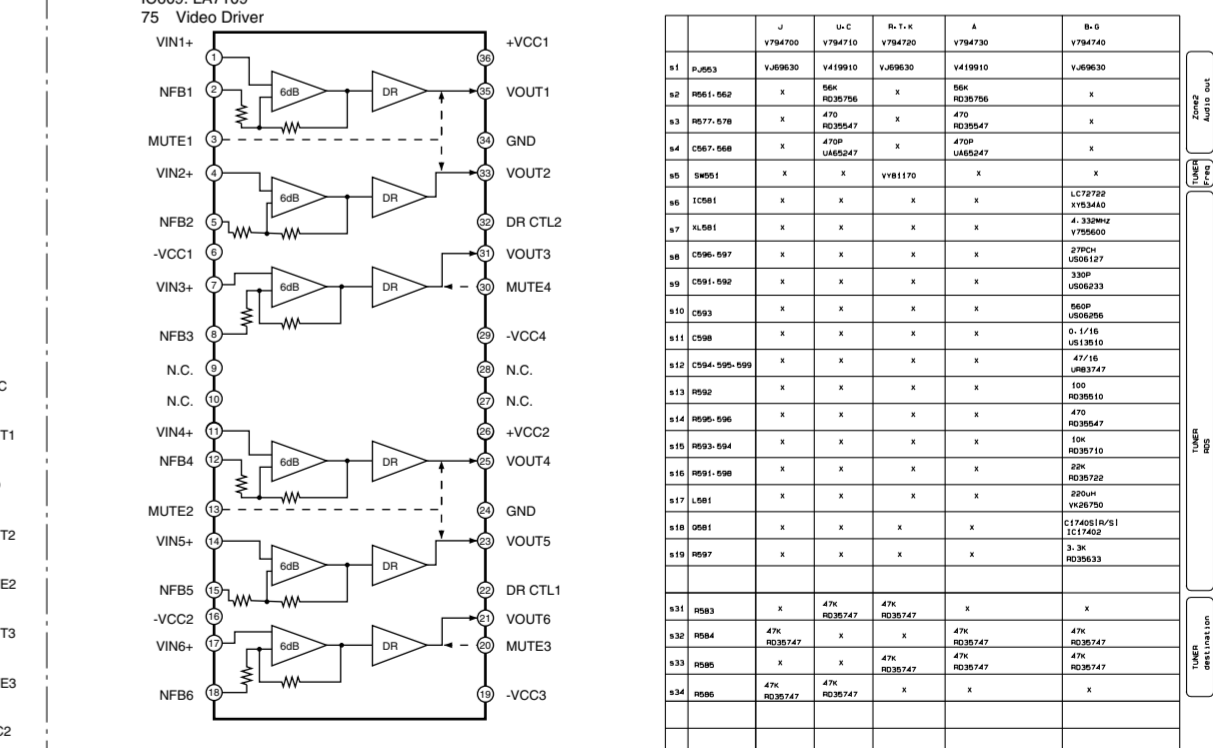
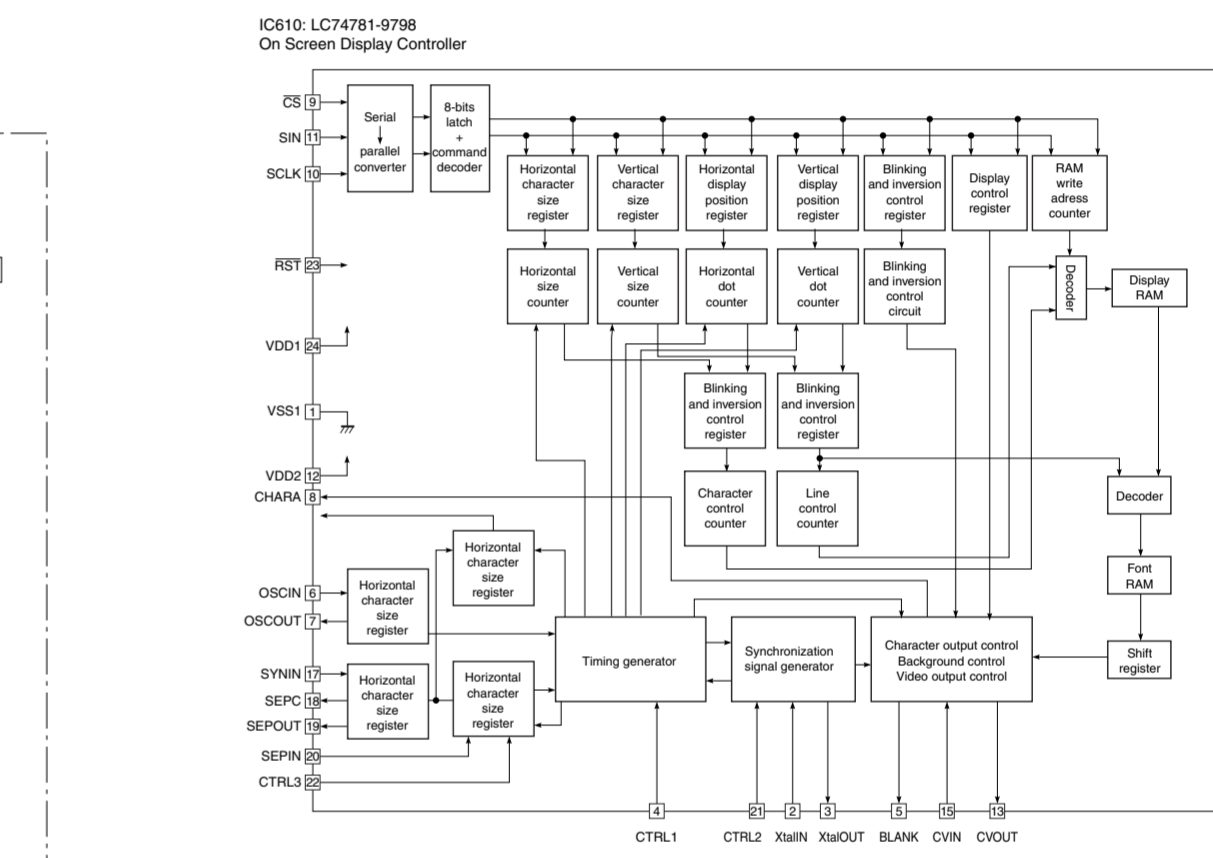
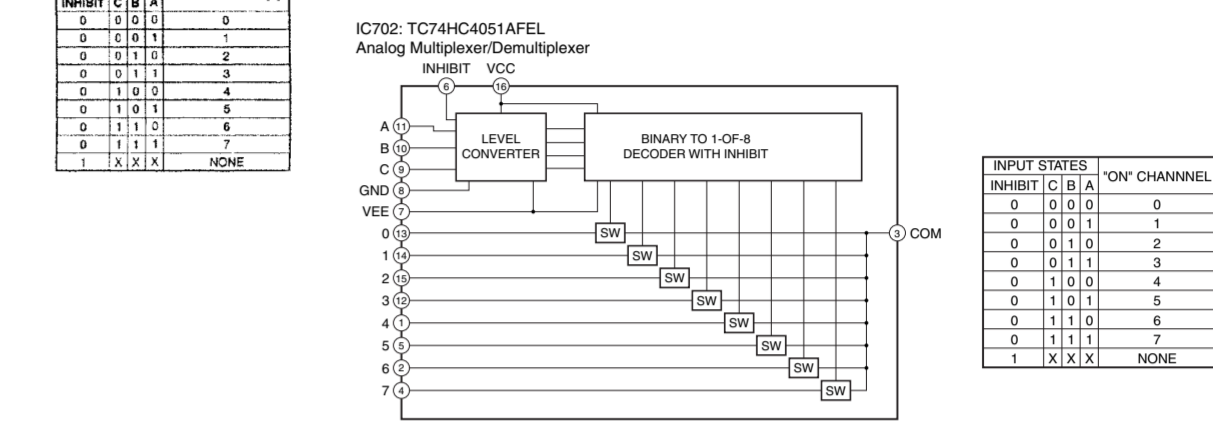
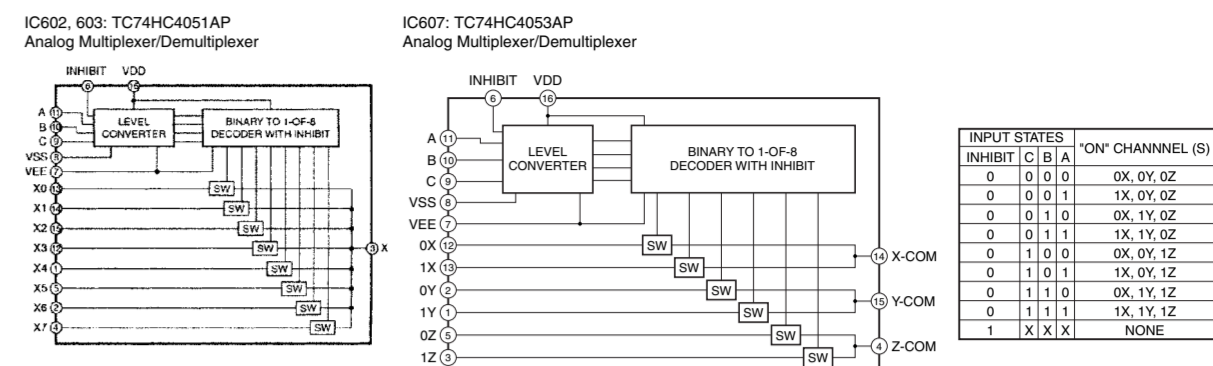
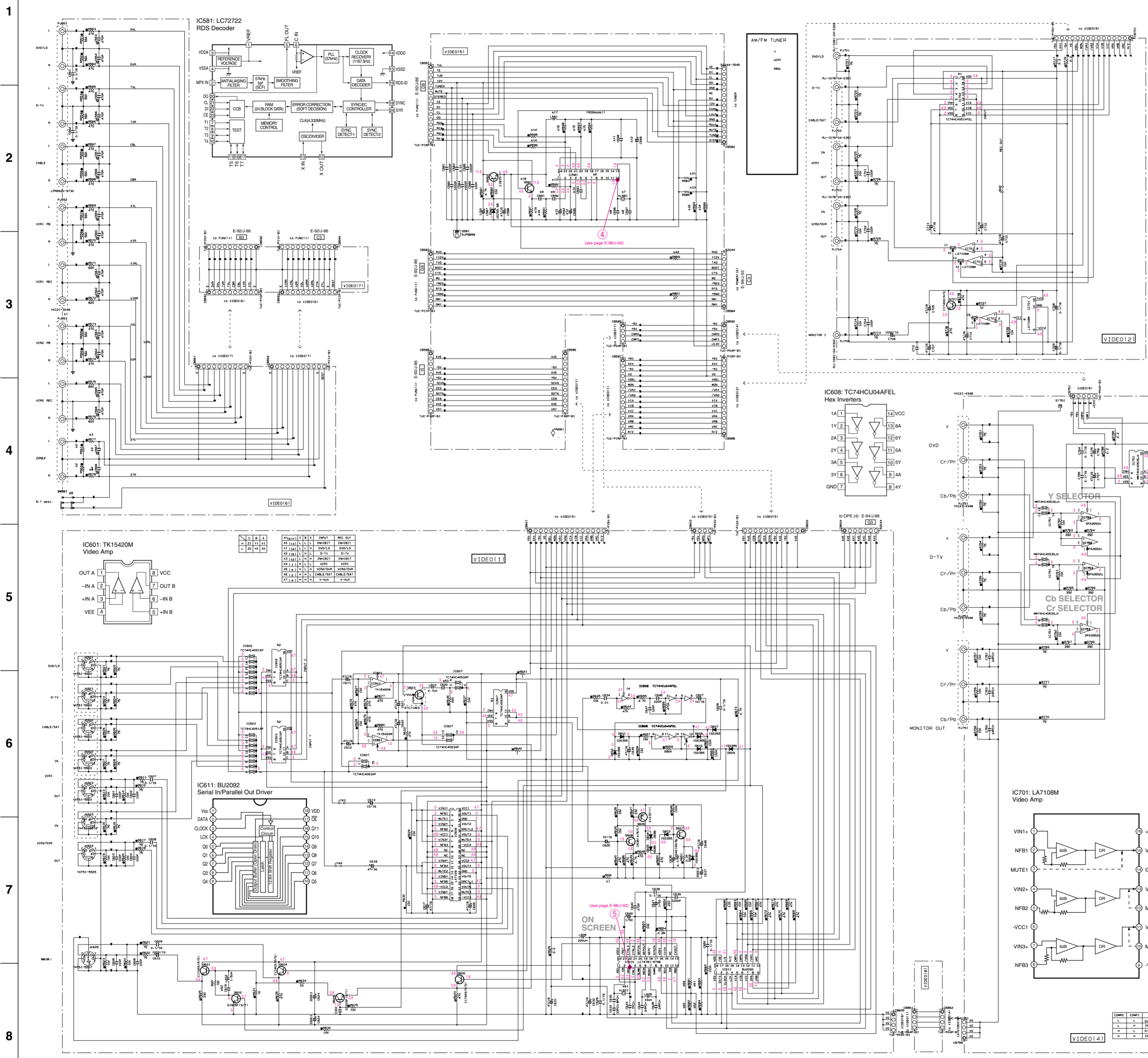
to FUNCTION

- ★ All voltages are measured with a 10M Ω DC electric volt meter.
- ★ Components having special characteristics are marked Δ and must be replaced with parts having specifications equal to those originally installed.
- ★ Schematic diagram is subject to change without notice.
- 電圧は、内部抵抗10M Ω の電圧計で測定したものです。
- Δ 印のある部品は、安全性確保部品を示しています。部品の交換が必要な場合、パーツリストに記載されている部品を使用してください。
- 本回路図は標準回路図です。改良のため予告なく変更することがございます。



■ SCHEMATIC DIAGRAM (RX-V1200/RX-V1200RDS/HTR-5490/DSP-AX1200 VIDEO)

RX-V1200/RX-V1200RDS/HTR-5490/DSP-AX1200/RX-V2200/DSP-AX2200



Part No.	Y784702	Y784710	Y784710	Y784710	Y784710	Y784710
611	LA603	LA603	LA603	LA603	LA603	LA603
612	LA603	LA603	LA603	LA603	LA603	LA603
613	LA603	LA603	LA603	LA603	LA603	LA603
614	LA603	LA603	LA603	LA603	LA603	LA603
615	LA603	LA603	LA603	LA603	LA603	LA603
616	LA603	LA603	LA603	LA603	LA603	LA603
617	LA603	LA603	LA603	LA603	LA603	LA603
618	LA603	LA603	LA603	LA603	LA603	LA603
619	LA603	LA603	LA603	LA603	LA603	LA603
620	LA603	LA603	LA603	LA603	LA603	LA603
621	LA603	LA603	LA603	LA603	LA603	LA603
622	LA603	LA603	LA603	LA603	LA603	LA603
623	LA603	LA603	LA603	LA603	LA603	LA603
624	LA603	LA603	LA603	LA603	LA603	LA603
625	LA603	LA603	LA603	LA603	LA603	LA603
626	LA603	LA603	LA603	LA603	LA603	LA603
627	LA603	LA603	LA603	LA603	LA603	LA603
628	LA603	LA603	LA603	LA603	LA603	LA603
629	LA603	LA603	LA603	LA603	LA603	LA603
630	LA603	LA603	LA603	LA603	LA603	LA603
631	LA603	LA603	LA603	LA603	LA603	LA603
632	LA603	LA603	LA603	LA603	LA603	LA603
633	LA603	LA603	LA603	LA603	LA603	LA603
634	LA603	LA603	LA603	LA603	LA603	LA603
635	LA603	LA603	LA603	LA603	LA603	LA603
636	LA603	LA603	LA603	LA603	LA603	LA603
637	LA603	LA603	LA603	LA603	LA603	LA603
638	LA603	LA603	LA603	LA603	LA603	LA603
639	LA603	LA603	LA603	LA603	LA603	LA603
640	LA603	LA603	LA603	LA603	LA603	LA603
641	LA603	LA603	LA603	LA603	LA603	LA603
642	LA603	LA603	LA603	LA603	LA603	LA603
643	LA603	LA603	LA603	LA603	LA603	LA603
644	LA603	LA603	LA603	LA603	LA603	LA603
645	LA603	LA603	LA603	LA603	LA603	LA603
646	LA603	LA603	LA603	LA603	LA603	LA603
647	LA603	LA603	LA603	LA603	LA603	LA603
648	LA603	LA603	LA603	LA603	LA603	LA603
649	LA603	LA603	LA603	LA603	LA603	LA603
650	LA603	LA603	LA603	LA603	LA603	LA603
651	LA603	LA603	LA603	LA603	LA603	LA603
652	LA603	LA603	LA603	LA603	LA603	LA603
653	LA603	LA603	LA603	LA603	LA603	LA603
654	LA603	LA603	LA603	LA603	LA603	LA603
655	LA603	LA603	LA603	LA603	LA603	LA603
656	LA603	LA603	LA603	LA603	LA603	LA603
657	LA603	LA603	LA603	LA603	LA603	LA603
658	LA603	LA603	LA603	LA603	LA603	LA603
659	LA603	LA603	LA603	LA603	LA603	LA603
660	LA603	LA603	LA603	LA603	LA603	LA603
661	LA603	LA603	LA603	LA603	LA603	LA603
662	LA603	LA603	LA603	LA603	LA603	LA603
663	LA603	LA603	LA603	LA603	LA603	LA603
664	LA603	LA603	LA603	LA603	LA603	LA603
665	LA603	LA603	LA603	LA603	LA603	LA603
666	LA603	LA603	LA603	LA603	LA603	LA603
667	LA603	LA603	LA603	LA603	LA603	LA603
668	LA603	LA603	LA603	LA603	LA603	LA603
669	LA603	LA603	LA603	LA603	LA603	LA603
670	LA603	LA603	LA603	LA603	LA603	LA603
671	LA603	LA603	LA603	LA603	LA603	LA603
672	LA603	LA603	LA603	LA603	LA603	LA603
673	LA603	LA603	LA603	LA603	LA603	LA603
674	LA603	LA603	LA603	LA603	LA603	LA603
675	LA603	LA603	LA603	LA603	LA603	LA603
676	LA603	LA603	LA603	LA603	LA603	LA603
677	LA603	LA603	LA603	LA603	LA603	LA603
678	LA603	LA603	LA603	LA603	LA603	LA603
679	LA603	LA603	LA603	LA603	LA603	LA603
680	LA603	LA603	LA603	LA603	LA603	LA603
681	LA603	LA603	LA603	LA603	LA603	LA603
682	LA603	LA603	LA603	LA603	LA603	LA603
683	LA603	LA603	LA603	LA603	LA603	LA603
684	LA603	LA603	LA603	LA603	LA603	LA603
685	LA603	LA603	LA603	LA603	LA603	LA603
686	LA603	LA603	LA603	LA603	LA603	LA603
687	LA603	LA603	LA603	LA603	LA603	LA603
688	LA603	LA603	LA603	LA603	LA603	LA603
689	LA603	LA603	LA603	LA603	LA603	LA603
690	LA603	LA603	LA603	LA603	LA603	LA603
691	LA603	LA603	LA603	LA603	LA603	LA603
692	LA603	LA603	LA603	LA603	LA603	LA603
693	LA603	LA603	LA603	LA603	LA603	LA603
694	LA603	LA603	LA603	LA603	LA603	LA603
695	LA603	LA603	LA603	LA603	LA603	LA603
696	LA603	LA603	LA603	LA603	LA603	LA603
697	LA603	LA603	LA603	LA603	LA603	LA603
698	LA603	LA603	LA603	LA603	LA603	LA603
699	LA603	LA603	LA603	LA603	LA603	LA603
700	LA603	LA603	LA603	LA603	LA603	LA603

RESISTOR PARTS NAME
 NO. MARK CARBON FILM RESISTOR (RHS)
 CARBON FILM RESISTOR (RHS1)
 METAL OXIDE FILM RESISTOR
 METAL FILM RESISTOR
 METAL GLAZE RESISTOR
 FINE PRINT CARBON FILM RESISTOR
 CERAMIC THICK FILM RESISTOR
 SEMI-VARIABLE RESISTOR
 CHIP RESISTOR

CAPACITOR PARTS NAME
 NO. MARK ELECTROLYTIC CAPACITOR
 ELECTROLYTIC CAPACITOR
 CERAMIC CAPACITOR
 POLYESTER FILM CAPACITOR
 POLYPROPYLENE FILM CAPACITOR
 POLYPROPYLENE FILM CAPACITOR
 SEMICONDUCTIVE CERAMIC CAPACITOR

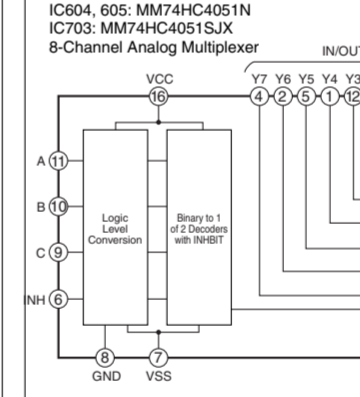
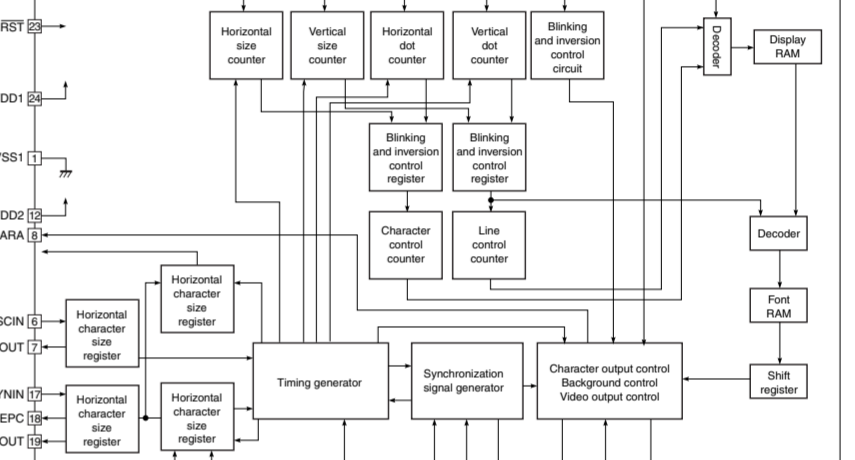
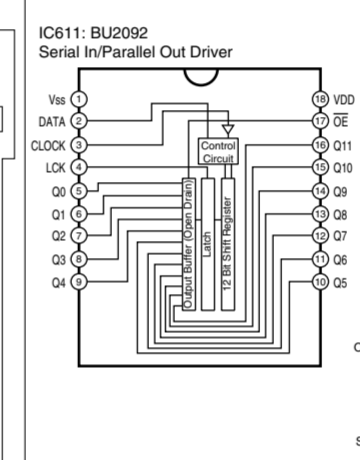
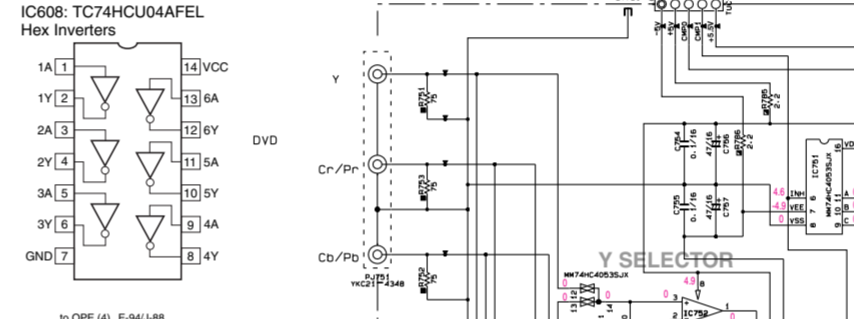
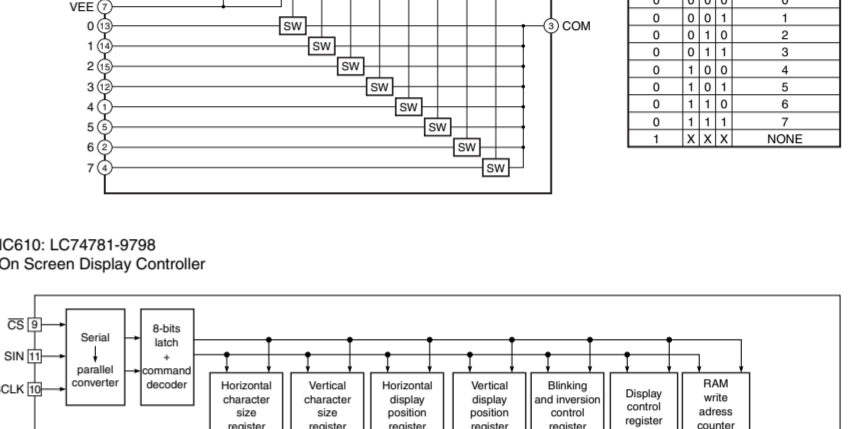
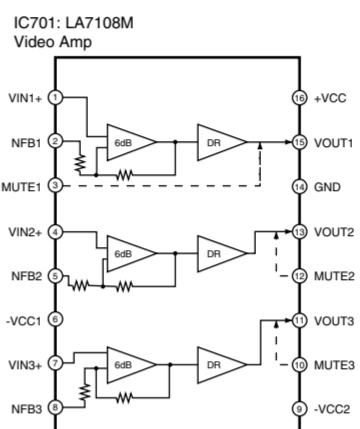
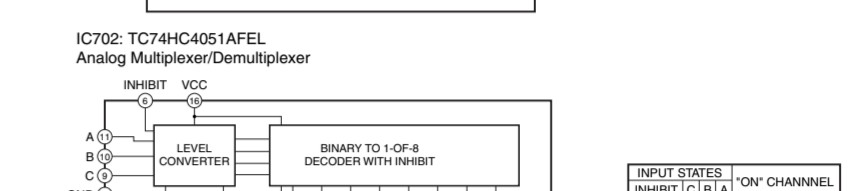
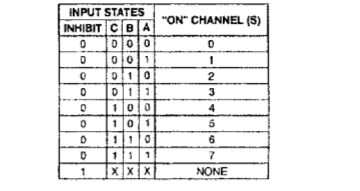
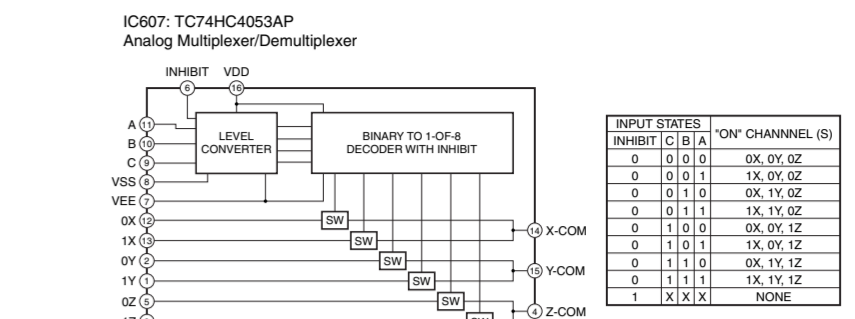
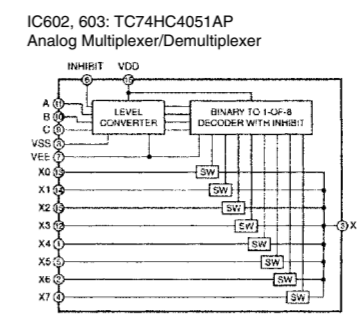
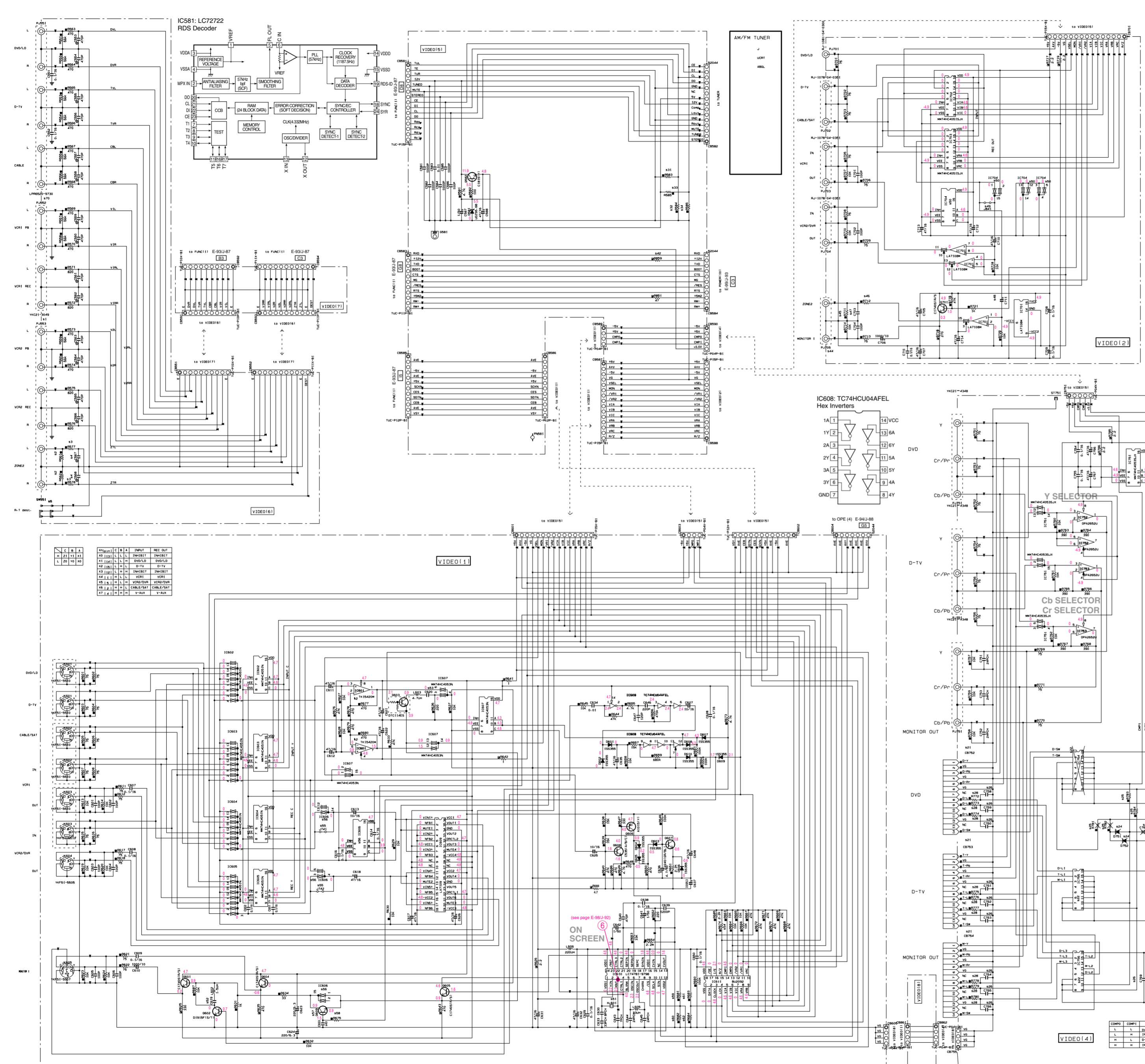
NOTICE (mode 1)
 (J) JAPANESE
 (U) U.S.A.
 (C) CANADIAN
 (G) GENERAL
 (A) AUSTRALIAN
 (B) BRITISH
 (E) EUROPEAN
 (T) CHINA
 (K) KOREA

Interchangeable Parts at Manufacturer's Stage
 No. Part Name
 N1 1000-603
 N3 10007

★ All voltages are measured with a 10MΩ /V DC electric volt meter.
 ★ Components having special characteristics are marked with a triangle (▲), and must be replaced with parts having specifications equal to those originally installed.
 ★ Schematic diagram is subject to change without notice.

● 電圧は、内部抵抗10MΩの電圧計で測定したものです。
 ● ▲印のある部品は、安全性確保部品を示しています。部品の交換が必要な場合、パーツリストに記載されている部品を使用してください。
 ● 本回路図は標準回路図です。改良のため予告なく変更することがございます。

RX-V1200/RX-V1200RDS/HTR-5490/DSP-AX1200/RX-V2200/DSP-AX2200
SCHEMATIC DIAGRAM (RX-V2200/DSP-AX2200 VIDEO)

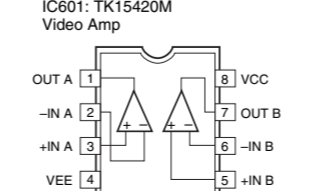


Part No.	Symbol	Value	U.C.	QTY	Notes
11	RJ003	10K		1	
12	RE51-502	50K		1	
13	RE71-578	10K		1	
14	RE51-508	50K		1	
15	RE51-511	10K		1	
161	RE70-753-754	10K		1	
162	RE70-754	10K		1	
163	RE71-792	10K		1	
164	RE71-794	10K		1	
165	RE70-798	10K		1	
166	CT10	10K		1	
167	CT11	10K		1	
168	RE70-799	10K		1	
169	RE70-799	10K		1	
171	RE53	10K		1	
172	RE64	10K		1	
173	RE66	10K		1	
174	RE66	10K		1	
142	RE60	10K		1	
143	RE60	10K		1	
144	RE60	10K		1	
145	RE60	10K		1	
146	RE60	10K		1	
147	RE60	10K		1	
148	RE60	10K		1	
149	RE60	10K		1	
150	RE60	10K		1	
151	RE60	10K		1	
152	RE60	10K		1	
153	RE60	10K		1	
154	RE60	10K		1	
155	RE60	10K		1	
156	RE60	10K		1	
157	RE60	10K		1	
158	RE60	10K		1	
159	RE60	10K		1	
160	RE60	10K		1	

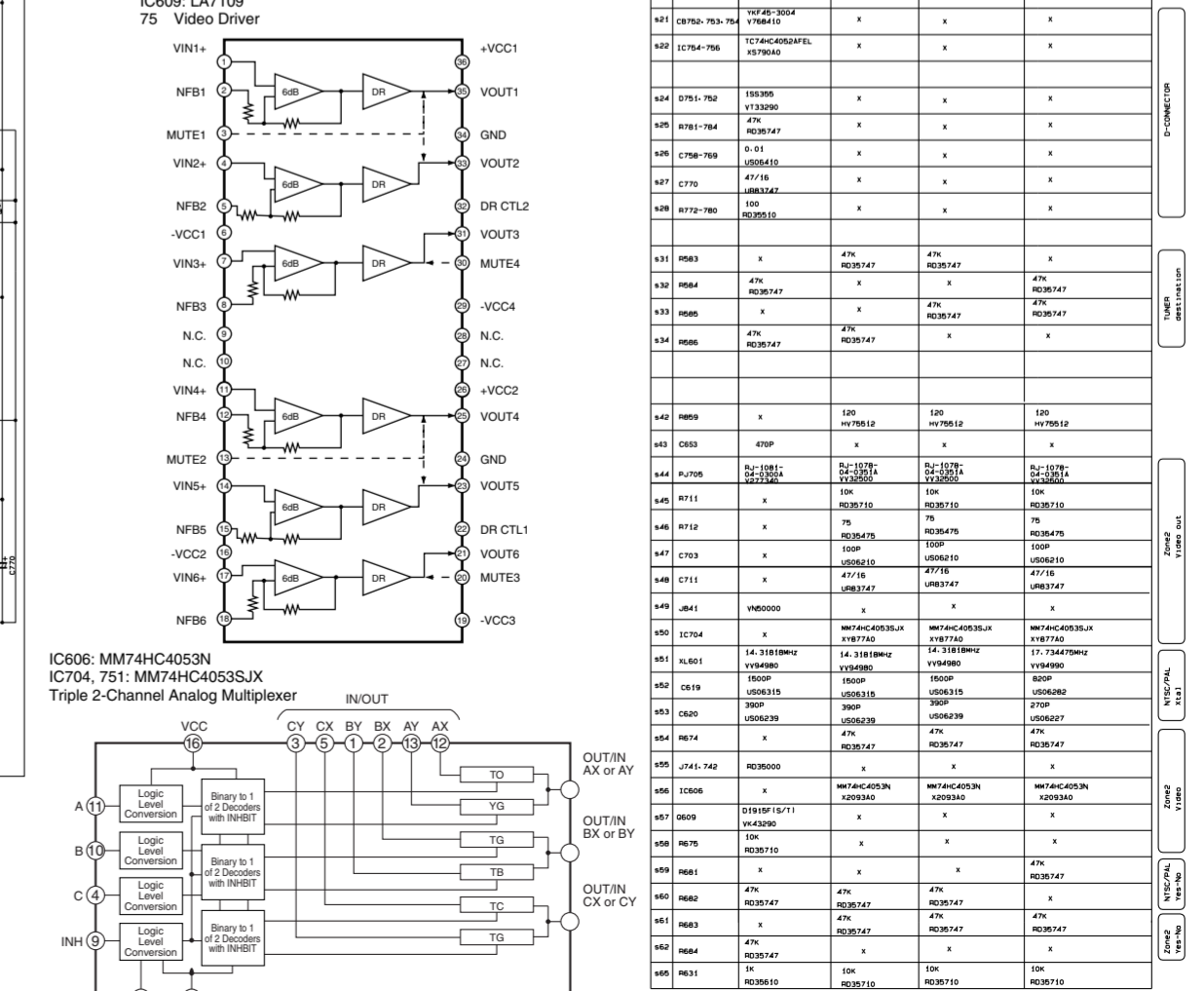
RESISTOR	PARTS NAME	CAPACITOR	PARTS NAME
RES	CARBON FILM RESISTOR (1/4W)	CE	GENERAL CERAMIC CAPACITOR
RE	CARBON FILM RESISTOR (1/2W)	CE	TANTALUM CAPACITOR
RE	METAL FILM RESISTOR	CE	NON-POLAR CERAMIC CAPACITOR
RE	METAL PLATE RESISTOR	CE	DIAPHRAGM CERAMIC CAPACITOR
RE	PRECISION CARBON FILM RESISTOR	CE	POLYETHYLENE FILM CAPACITOR
RE	PRECISION METAL FILM RESISTOR	CE	MICA CAPACITOR
RE	SEMI-VARIABLE RESISTOR	CE	POLYPROPYLENE FILM CAPACITOR
RE	CCP RESISTOR	CE	SEMICONDUCTIVE CERAMIC CAPACITOR

★ All voltages are measured with a 10M Ω DC electric volt meter.
 ★ Components having special characteristics are marked with a triangle (▲), and must be replaced with parts having specifications equal to those originally installed.
 ★ Schematic diagram is subject to change without notice.

● 電圧は、内部抵抗10MΩの電圧計で測定したものです。
 ● ▲印のある部品は、安全性確保部品を示しています。部品の交換が必要な場合、パーツリストに記載されている部品を使用してください。
 ● 本回路図は標準回路図です。改良のため予告なく変更することがございます。



Production of the parts marked with "x" has been discontinued starting with November production of 2001.
 ×マークの付いた部品は、2001年11月生産分より廃止されています。



SCHEMATIC DIAGRAM (MAIN)

The voltage value before or above parentheses [] is applicable to RX-V1200/RX-V1200RDS/HTR-5490/DSP-AX1200 and the value in the parentheses is applicable to RX-V2200/DSP-AX2200. Also, the voltage value without parentheses is commonly applicable to all models.

[]外の電圧値はRX-V1200/RX-V1200RDS/HTR-5490/DSP-AX1200の値を表し、[]内の電圧値はRX-V2200/DSP-AX2200の値を表します。また、[]が付いていない電圧値は全モデルに共通の値です。

RX-V1200/RX-V1200RDS/HTR-5490/DSP-AX1200/RX-V2200/DSP-AX2200

REMARKS	PARTS NAME
NO MARK	ELECTROLYTIC CAPACITOR
⊗	TANTALUM CAPACITOR
⊙	CERAMIC CAPACITOR
⊚	CERAMIC TUBULAR CAPACITOR
⊖	POLYESTER FILM CAPACITOR
⊕	POLYESTER FILM CAPACITOR
⊖	MICA CAPACITOR
⊕	POLYPROPYLENE FILM CAPACITOR
⊖	SEMICONDUCTIVE CERAMIC CAPACITOR
⊕	POLYPHENYLENE SULFIDE FILM CAPACITOR

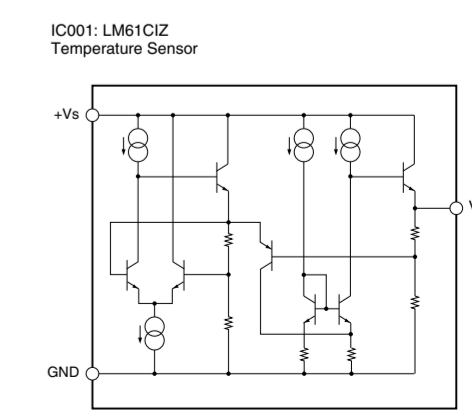
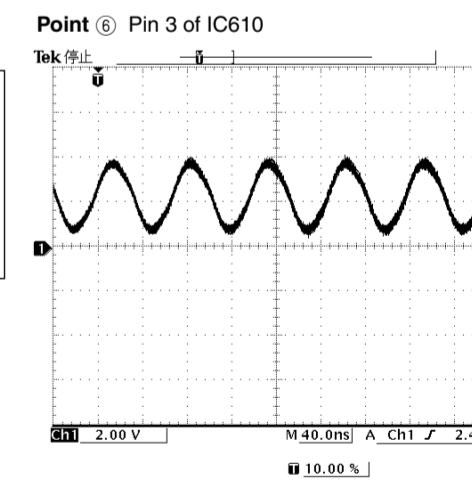
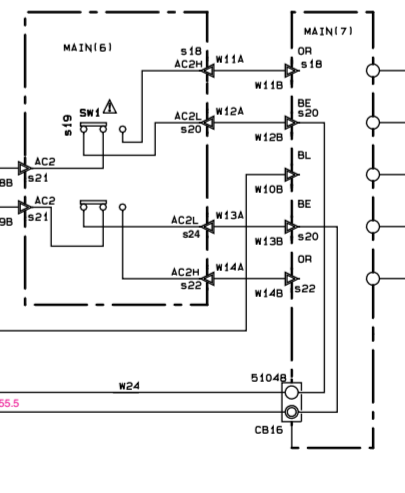
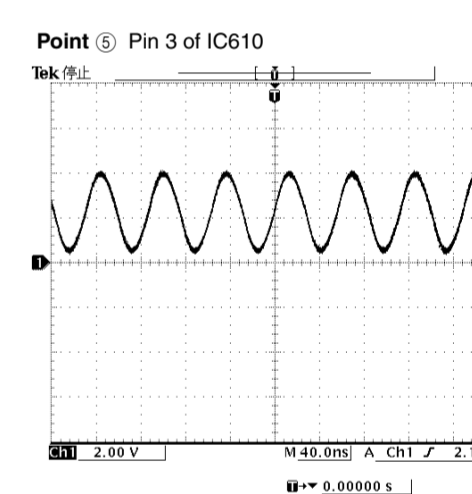
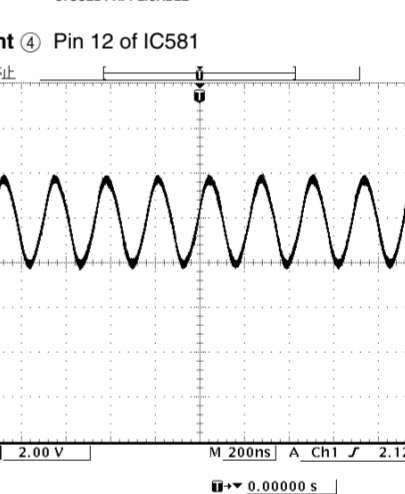
REMARKS	PARTS NAME
NO MARK	CARBON FILM RESISTOR (P=5)
□	CARBON FILM RESISTOR (P=10)
△	METAL OXIDE FILM RESISTOR
⊖	METAL FILM RESISTOR
⊕	METAL PLATE RESISTOR
⊖	FIRE PROOF CARBON FILM RESISTOR
⊕	CEMENT MOUNTED RESISTOR
⊖	SEMI VARIABLE RESISTOR
⊕	CHIP RESISTOR

NOTICE (model)
 (J)..... JAPANESE
 (U)..... U.S.A.
 (C)..... CANADIAN
 (R)..... GENERAL
 (A)..... AUSTRALIAN
 (B)..... BRITISH
 (G)..... EUROPEAN
 (T)..... CHINA
 (K)..... KOREA

Interchangeable Parts at Manufacture Stage

Mark	Reference Parts Number	Parts Name
41	G4B-49	2SC2878(A/B) 2SC1815P(L/T)
42	RY.6	DH2402-DT1M1-SL DH2402-DT1M1
43	D1.4.13.14	HSS104 ISS133 ISS176

PART NO.	RX-V1200/RX-V1200RDS/HTR-5490/DSP-AX1200				RX-V2200/DSP-AX2200			
	J	U	C	R	J	U	C	R
41	X	X	X	X	X	X	X	X
42	X	X	X	X	X	X	X	X
43	X	X	X	X	X	X	X	X
44	X	X	X	X	X	X	X	X
45	X	X	X	X	X	X	X	X
46	X	X	X	X	X	X	X	X
47	X	X	X	X	X	X	X	X
48	X	X	X	X	X	X	X	X
49	X	X	X	X	X	X	X	X
50	X	X	X	X	X	X	X	X
51	X	X	X	X	X	X	X	X
52	X	X	X	X	X	X	X	X
53	X	X	X	X	X	X	X	X
54	X	X	X	X	X	X	X	X
55	X	X	X	X	X	X	X	X
56	X	X	X	X	X	X	X	X
57	X	X	X	X	X	X	X	X
58	X	X	X	X	X	X	X	X
59	X	X	X	X	X	X	X	X
60	X	X	X	X	X	X	X	X
61	X	X	X	X	X	X	X	X
62	X	X	X	X	X	X	X	X
63	X	X	X	X	X	X	X	X
64	X	X	X	X	X	X	X	X
65	X	X	X	X	X	X	X	X
66	X	X	X	X	X	X	X	X
67	X	X	X	X	X	X	X	X
68	X	X	X	X	X	X	X	X
69	X	X	X	X	X	X	X	X
70	X	X	X	X	X	X	X	X
71	X	X	X	X	X	X	X	X
72	X	X	X	X	X	X	X	X
73	X	X	X	X	X	X	X	X
74	X	X	X	X	X	X	X	X
75	X	X	X	X	X	X	X	X
76	X	X	X	X	X	X	X	X
77	X	X	X	X	X	X	X	X
78	X	X	X	X	X	X	X	X
79	X	X	X	X	X	X	X	X
80	X	X	X	X	X	X	X	X
81	X	X	X	X	X	X	X	X
82	X	X	X	X	X	X	X	X
83	X	X	X	X	X	X	X	X
84	X	X	X	X	X	X	X	X
85	X	X	X	X	X	X	X	X
86	X	X	X	X	X	X	X	X
87	X	X	X	X	X	X	X	X
88	X	X	X	X	X	X	X	X
89	X	X	X	X	X	X	X	X
90	X	X	X	X	X	X	X	X
91	X	X	X	X	X	X	X	X
92	X	X	X	X	X	X	X	X
93	X	X	X	X	X	X	X	X
94	X	X	X	X	X	X	X	X
95	X	X	X	X	X	X	X	X
96	X	X	X	X	X	X	X	X
97	X	X	X	X	X	X	X	X
98	X	X	X	X	X	X	X	X
99	X	X	X	X	X	X	X	X
100	X	X	X	X	X	X	X	X



★ All voltages are measured with a 10M Ω DC electric volt meter.
 ★ Components having special characteristics are marked Δ and must be replaced with parts having specifications equal to those originally installed.
 ★ Schematic diagram is subject to change without notice.

● 電圧は、内部抵抗10M Ω の電圧計で測定したものです。
 ● Δ 印のある部品は、安全性確保部品を示しています。部品の交換が必要な場合、パーツリストに記載されている部品を使用してください。
 ● 本回路図は標準回路図です。改良のため予告なく変更することがございます。

■ RX-V1200/RX-V1200RDS/HTR-5490 REMOTE CONTROL TRANSMITTER

● SCHEMATIC DIAGRAM

1

2

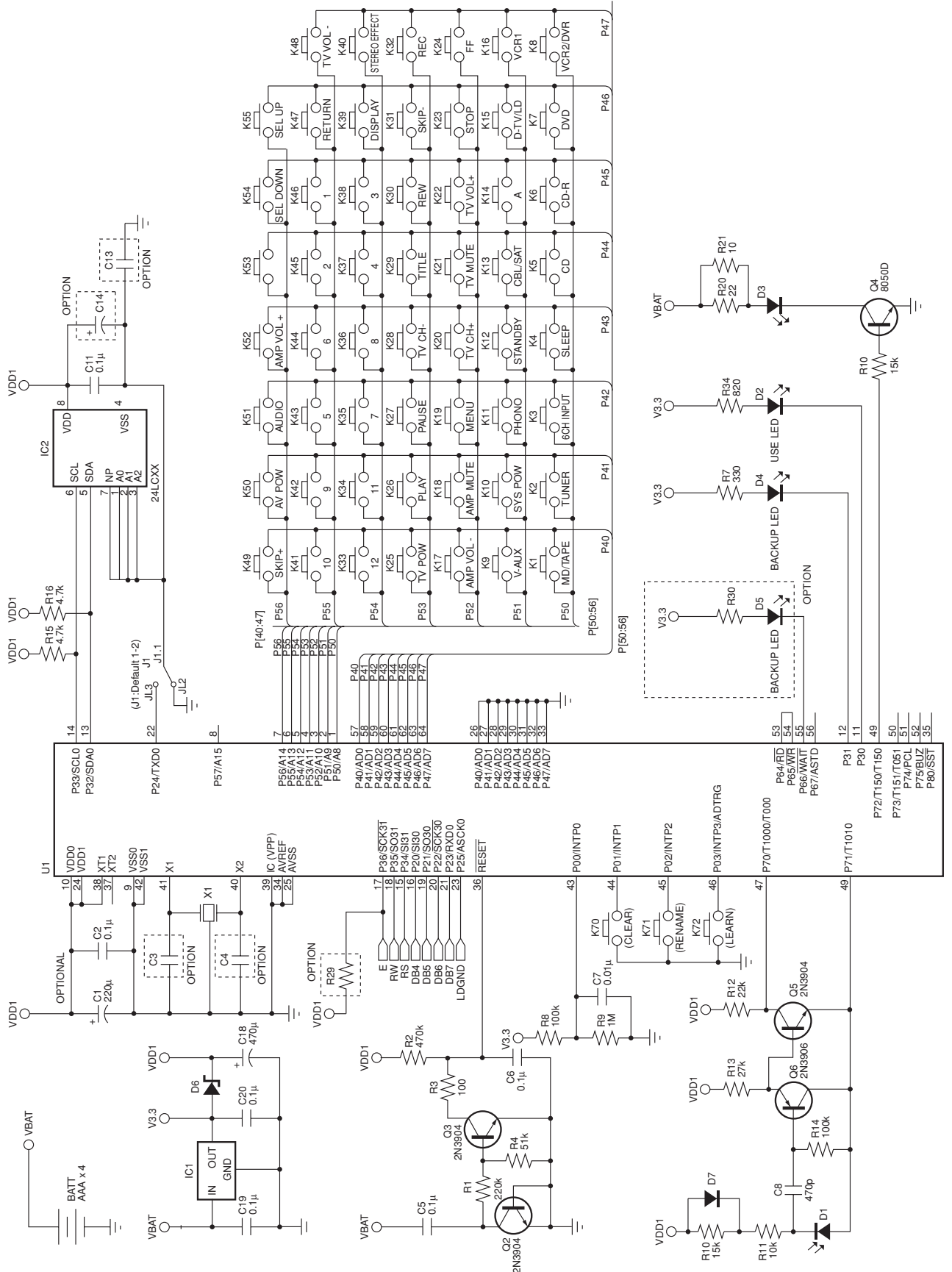
3

4

5

6

7



RX-V2200 REMOTE CONTROL TRANSMITTER

SCHEMATIC DIAGRAM

